

## References in CHP Business

Don't just brag about quality, prove it ...

Take a look at the international HERING reference list for our current projects.  
We will be happy to meet with you personally to provide you with in-depth answers on plant design and performance



## References in CHP Business

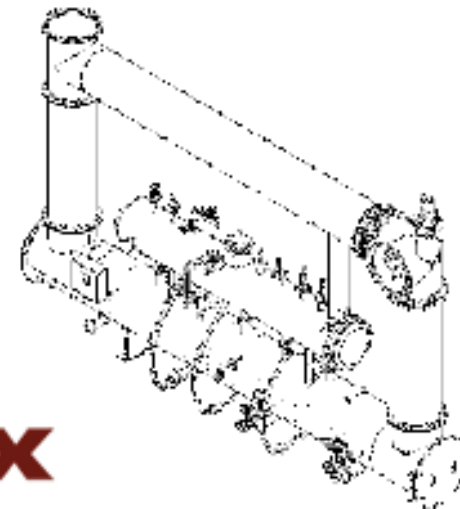
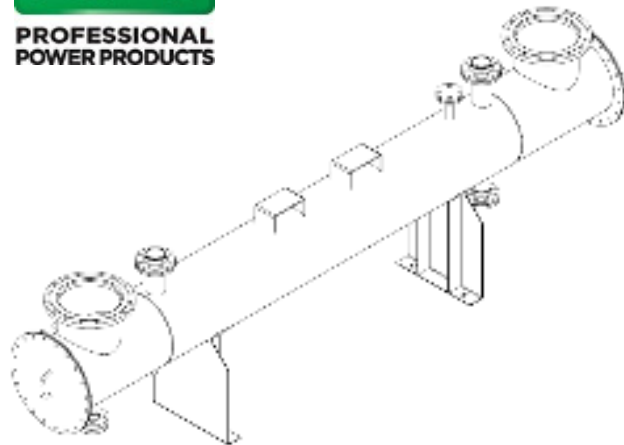
We are one of the major suppliers for several engine manufactures and packaging companies worldwide



GE JENBACHER



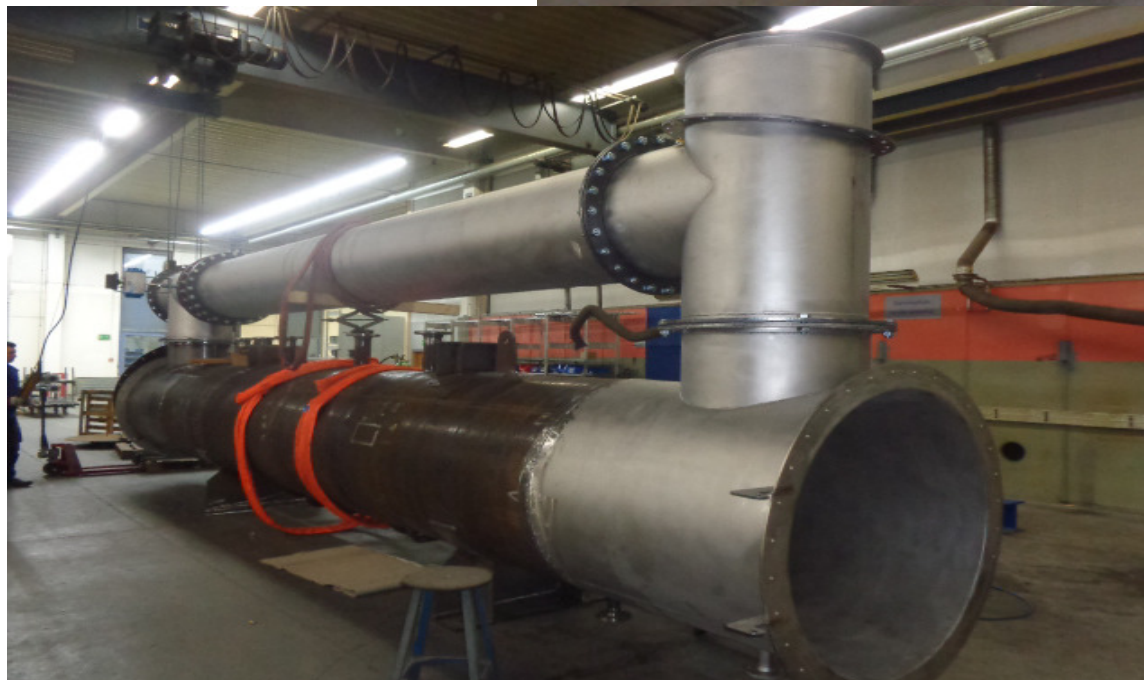
Tech 3 Solutions, Inc



**ENERFLEX**



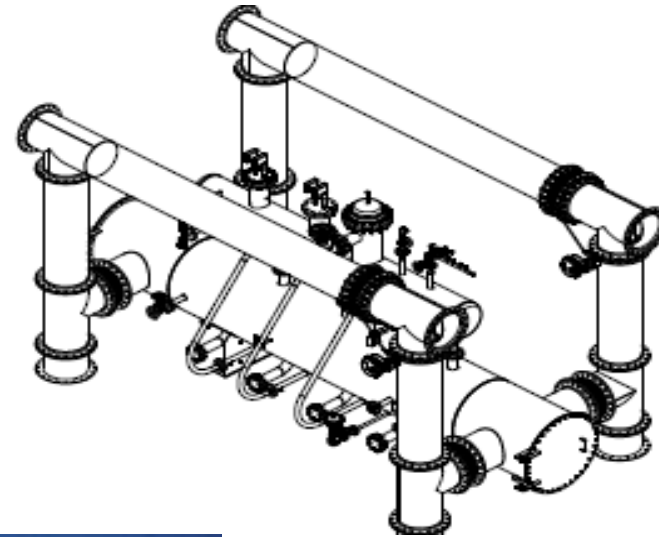
**Project name: “Cogé Le Hir”**  
**Engine: GE JMS 624**  
**Location: Bordeaux, France**  
**Thermal Output: 2.200 kW**  
**Year of manufacture: 2015**  
**Application: Hot water**



**Exhaust heat recovery with  
bypass**

**Project name: “MELUN”**  
**Engine: GE JMS 624**  
**Location: Paris, France**  
**Thermal Output: 2.100 kW**  
**Year of manufacture: 2015**  
**Application: Hot water**

**Steamboiler “2in1 solution  
Project name: “Calgary”  
Engine: GE JMS 620 Biogas  
Location: Alberta / Canada  
Thermal Output: 6 x 1.100 kW  
Year of manufacture: 2016  
Application: Steam**



**Steamboiler  
Project name: “Polycon”  
Engine: 3x GE JMS 616  
Location: Ontario / Canada  
Thermal Output: 3x 900 kW  
Year of manufacture: 2014  
Application: Steam  
Steam output: 3x 1600 kg/h**

**Steamboiler with Economizer**

**Project name: "Coca Cola "**

**Engine: MWM TCG 202V20**

**Location: Ireland**

**Thermal Output: 1200 kW**

**Year of manufacture: 2012**

**Application: Steam**

**Steamoutput: 1825 kg/h**



**Exhaust Heat Recovery**  
**Project name: "CHP Kenya"**  
**Engine: 2x GE JMS 416 Biogas**  
**Location: Kenya**  
**Thermal Output: 2x 600 kW**  
**Year of manufacture: 2012**  
**Application: Hot water**

**Steamboiler**  
**Project name: "BASF"**  
**Engine: -**  
**Location: Germany**  
**Thermal Output: 2.050 kW**  
**Year of manufacture: 2013**  
**Application: Steam**



**Steamboiler**  
**Project name: "Hochland  
Käserei"**  
**Engine: 1x GE JMS 320**  
**Location: Schongau / Germany**  
**Thermal Output: 1x 415 kW**  
**Year of manufacture: 2008**  
**Application: Steam**

**Steamboiler**  
**Project name: "Polycon II"**  
**Engine: GE JMS 616**  
**Location: Toronto / Canada**  
**Thermal Output: 900 kW**  
**Year of manufacture: 2014**



**Heat Recovery with bypass**  
**Project name: "3M Brockville"**  
**Engine: 1x MWM TCG 2020 V20**  
**Location: Ontario / Canada**  
**Thermal Output: 867kW**  
**Year of manufacture: 2015**  
**Application: Thermal oil**

**Heat Recovery with bypass**  
**Project name: "3M Perth"**  
**Engine: 1x MWM TCG 2020 V16**  
**Location: Ontario / Canada**  
**Thermal Output: 660kW**  
**Year of manufacture: 2015**  
**Application: Thermal oil**



**Heat Recovery with bypass**  
**Project name: "Enmax Village Square"**  
**Engine: 1x CAT 3608**  
**Location: Calgary / Canada**  
**Thermal Output: 585kW**  
**Year of manufacture: 2015**  
**Application: hot water, vertical design**





**Steam Boiler**

**Project name: "Ministry of  
Iran"**

**Engine: TCG 2032 V16**

**Location: Iran**

**Thermal Output: 1.846 kW**

**Year of manufacture: 2007**

**Application: Steam**

**Steam output: 2.830 kg/h**



**Two Stage heat recovery  
with bypass**

**Project name: "MONS"**

**Engine: GE JMS 624**

**Location: Lille / France**

**Thermal Output: 2.680kW**

**Year of manufacture: 2015**

**Application: Hot water**

**Heat Recovery with bypass**  
**Project name: "Glasgow University"**  
**Engine: 1x GE JMS 620**  
**Location: UK**  
**Thermal Output: 1.150 kW**  
**Year of manufacture: 2015**  
**Application: Hot water**



**Heat Recovery with bypass**  
**Project name: Aquatera "**  
**Engine: 1x GE JMS 420 biogas**  
**Location: Alberta / Canada**  
**Thermal Output: 749kW**  
**Year of manufacture: 2013**  
**Application: Thermal Oil**

**Heat Recovery with bypass**  
**Project name: "North Bay  
Hospital"**  
**Engine: 1x CAT 3516H**  
**Location: Ontario / Canada**  
**Thermal Output: 887kW**  
**Year of manufacture: 2015**  
**Application: Hot water**



**Heat Recovery with bypass**  
**Project name: "Binney Street"**  
**Engine: Cummins C1000 N6C**  
**Location: USA**  
**Thermal Output: 492kW**  
**Year of manufacture: 2015**  
**Application: Hot water**

**Heat Recovery with bypass  
Project name: Melbourne  
Airport“**

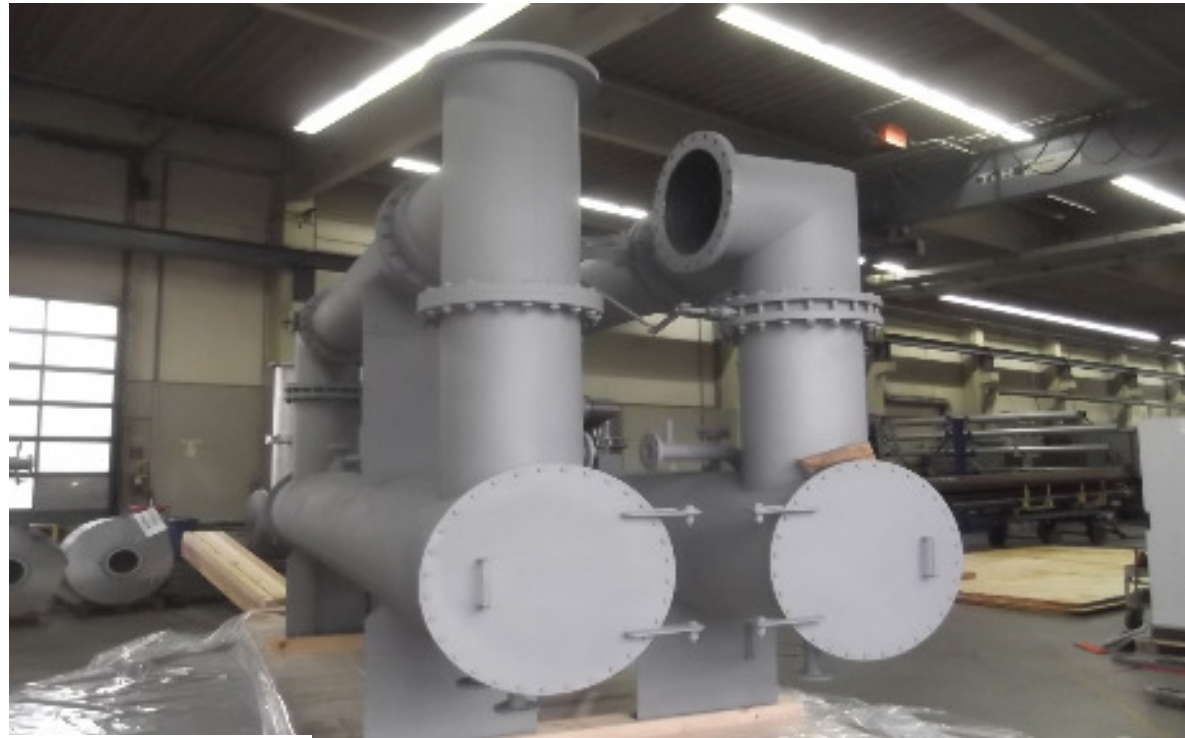
**Engine: 6x MWM TCG2020V20**

**Location: Melbourne / Australia**

**Thermal Output: 6x 983 kW**

**Year of manufacture: 2013**

**Application: Hot water**



**Steam Boiler  
Engine: GE JMS 320  
Location: Poland  
Thermal Output: 280kW  
Year of manufacture: 2013  
Application: Steam**

**Steam Boiler**  
**Project name: "Introl"**  
**Engine: -**  
**Location: Poland**  
**Thermal Output: 800kW**  
**Year of manufacture: 2011**  
**Application: Steam**  
**"fast start-up boiler" - vertical**





**Heat recovery with bypass**

**Project name: "Satolas"**

**Engine: 5x GE JMS 420**

**Location: France**

**Thermal Output: 5x 680kW**

**Year of manufacture: 2016**

**Application: Hot water**



**Steam Boiler in  
commissioning**  
**Project name: "Tunsie  
Ouate"**  
**Engine: GE JMS 624**  
**Location: Tunisia**  
**Thermal Output: 1.885 kW**  
**Year of manufacture: 2015**  
**Application: Steam**  
**Steam output: 2.750 kg/h**





**Hot water boiler  
seaworthy packing  
Project name:  
"Thunderbay CA"  
Engine: CAT G3516H  
Location: Ontario,  
Canada  
Thermal Output: 888 kW  
Year of manufacture: 2015  
Application: Hot Water**





**Hot water boiler  
seaworthy packing**

**Project name:  
"AlgonquinCA"**

**Engine: CAT G3516H**

**Location: Ontario,  
Canada**

**Thermal Output: 888 kW**

**Year of manufacture: 2015**

**Application: Hot Water**



**Hot water boiler**  
**Serial production**  
**Engine: MTU Onsite**  
**Energy**  
**Location: WorldWide**  
**Thermal Output: 250 kW**  
**Year of manufacture: 2016**  
**Application: Hot Water**



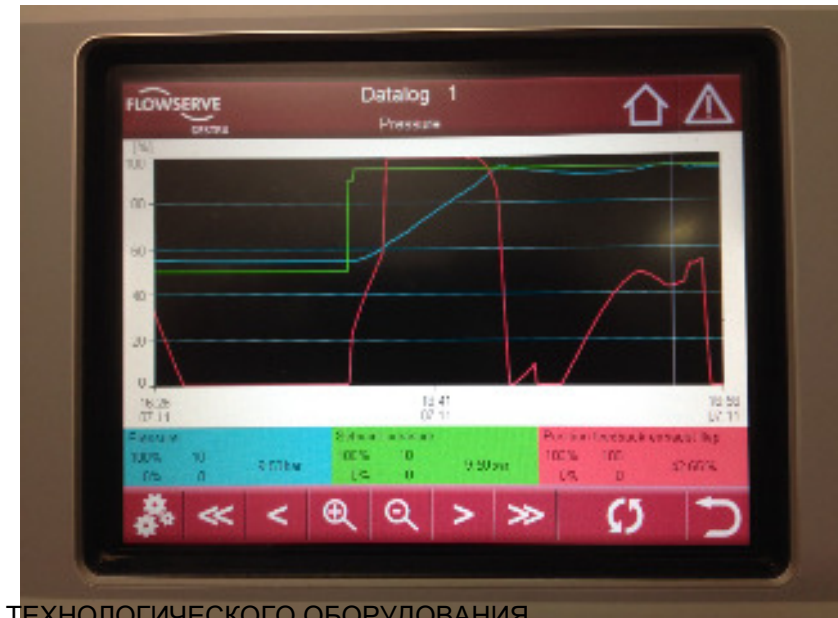
**Hot water boiler**  
**Serial production**  
**Engine: Doosan**  
**Location: WorldWide**  
**Thermal Output: 150 kW**  
**Year of manufacture: 2016**  
**Application: Hot Water**





**Hot water boiler**  
**Engine: ORCAN ORC**  
**Location: Italy**  
**Thermal Output: 350 kW**  
**Year of manufacture: 2015**  
**Application: Hot Water**

**HERING Steam boiler Control in cooperation with GESTRA Flowserve**



ООО «ТИ-СИСТЕМС» ИНЖИНИРИНГ И ПОСТАВКА ТЕХНОЛОГИЧЕСКОГО ОБОРУДОВАНИЯ

Интернет: [www.tisys.ru](http://www.tisys.ru) [www.tisys.kz](http://www.tisys.kz) [www.tisys.by](http://www.tisys.by) [www.tesec.ru](http://www.tesec.ru) [www.ти-системс.рф](http://www.ти-системс.рф)

Телефоны: +7 (495) 7774788, 7489626, 5007155, 54 Эл. почта: [info@tisys.ru](mailto:info@tisys.ru) [info@tisys.kz](mailto:info@tisys.kz) [info@tisys.by](mailto:info@tisys.by)